



DIMENSIONS

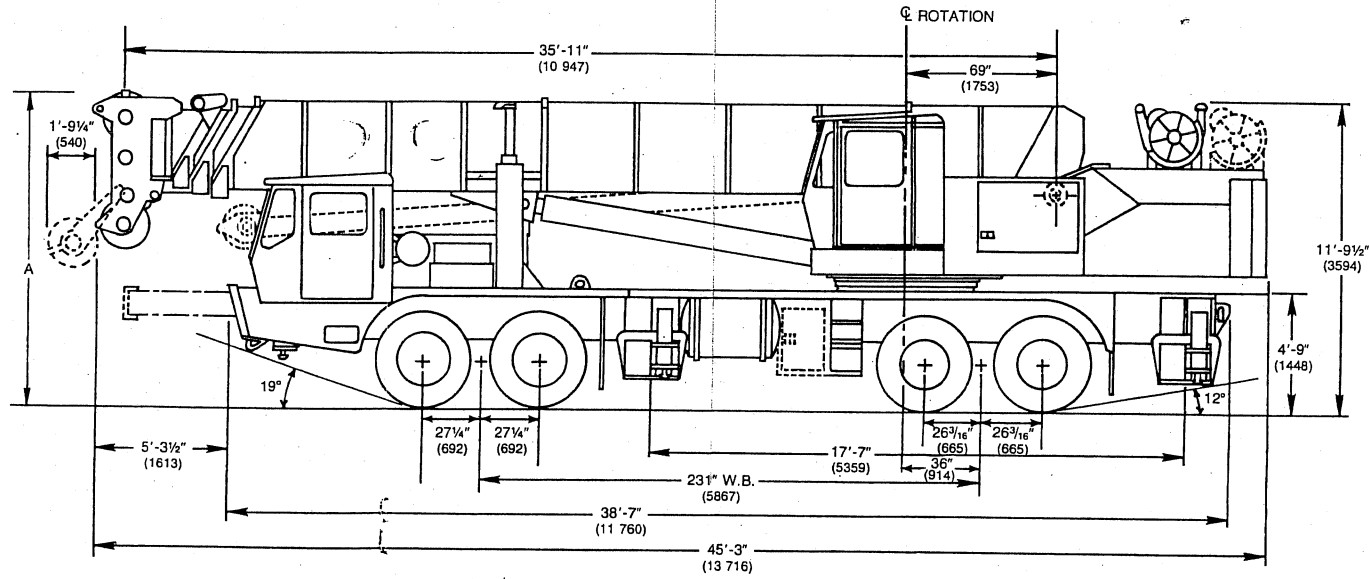
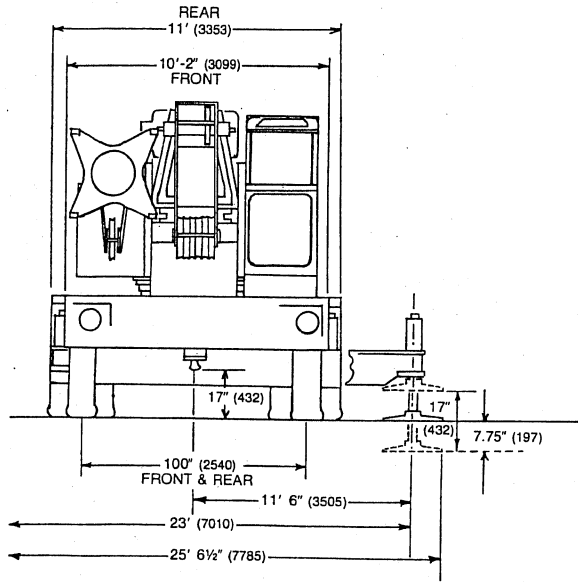
TURNING RADIUS 39' 11" (12 166)

GROUND CLEARANCE 11 1/4" (3359)

TAIL SWING 14' 2" (4267)

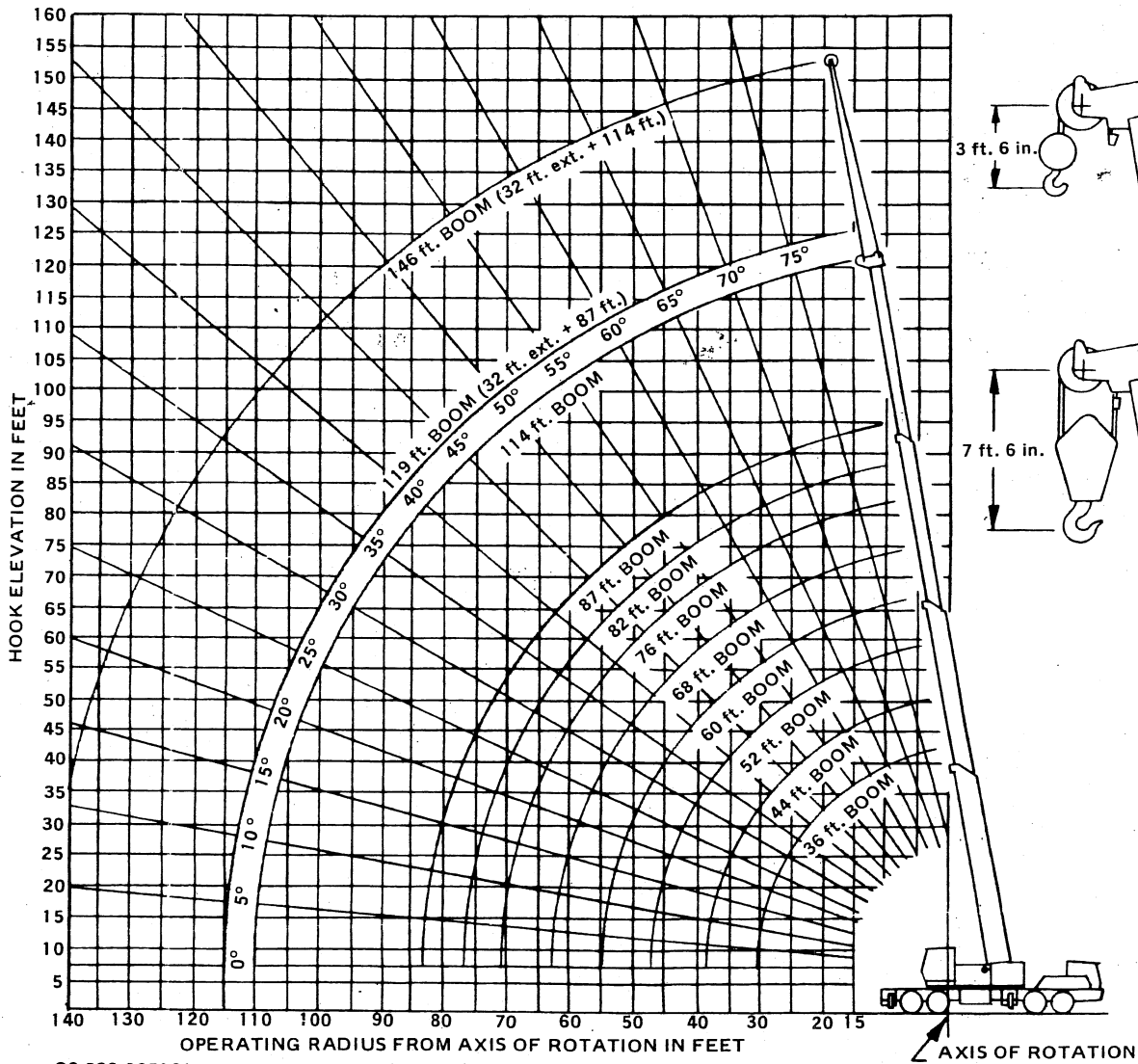
Note: Dimensions in parenthesis () are millimeters (mm)

Meets requirements of P.C.S.A. Standard No. 2



A - Overall height without "A" frame jib - 11' 9 1/2" (3594)
Overall height with "A" frame jib - 13' (3962)

RANGE DIAGRAM



C6-829-005261

Distributed by:



GROVE MANUFACTURING COMPANY
 Division of Kidde, Inc.
KIDDE

Box 21, Shady Grove, Pennsylvania 17256



TMS865

65 TON CAPACITY
36 ft. - 146 ft. BOOM
(POWER PINNED FLY)
PCSA CLASS 10-252

GROVE®

FULL HYDRAULIC
CARRIER-MOUNTED CRANE

RATED LIFTING CAPACITIES IN POUNDS

ON OUTRIGGERS FULLY EXTENDED - 360°

Radius in Feet	Main Boom Length in Feet (Power Pinned Fly Retracted)										114 ft. Fly Ext. (Retracted)	122 ft. Fly Ext. (Retracted)	130 ft. Fly Ext. (Retracted)	
	36	44	52	60	68	76	82	88	114	120				146
10	130,000 (67)	106,700 (71.5)	101,500 (74.5)	100,000 (77)	96,700 (79)				See Warning Note 11	See Warning Note 11	See Warning Note 11			
12	123,500 (63)	106,700 (68.5)	101,500 (72)	96,500 (75)	84,700 (77)	84,700 (78.5)			See Warning Note 11	See Warning Note 11	See Warning Note 11			
15	105,000 (57.5)	105,000 (64)	95,300 (68.5)	84,900 (72)	79,180 (74.5)	77,550 (76)	70,250 (77.5)	64,500 (79)						
20	78,850 (47)	78,850 (56.5)	78,850 (62.5)	70,550 (66.5)	64,310 (70)	63,800 (72)	59,400 (74)	55,000 (75.5)	38,750 (80)	23,600 (79.5)				
25	60,000 (34)	60,000 (48)	60,000 (55.5)	54,000 (61)	49,700 (65.5)	47,150 (67.5)	45,600 (70.5)	34,000 (77)	21,300 (77)	22,500 (80)				
30		48,570 (38)	48,570 (48.5)	48,570 (55.5)	42,570 (60.5)	40,450 (63.5)	39,150 (66.5)	30,300 (74.5)	19,500 (78.5)	21,200 (78.5)				
35		33,340 (24.5)	33,340 (30.5)	33,340 (34.5)	33,340 (40.5)	33,340 (44.5)	33,340 (49.5)	27,250 (55.5)	17,950 (61.5)	18,500 (65.5)				
40			25,210 (30.5)	25,210 (34.5)	25,210 (38.5)	25,210 (42.5)	25,210 (46.5)	24,750 (50.5)	16,600 (56.5)	16,000 (60.5)				
45				20,340 (14.5)	20,340 (18.5)	20,340 (22.5)	20,340 (26.5)	20,340 (30.5)	22,650 (36.5)	15,500 (42.5)	14,620 (46.5)			
50					16,250 (37.5)	16,250 (41.5)	16,250 (45.5)	16,250 (49.5)	18,580 (55.5)	14,500 (61.5)	13,730 (65.5)			
60						10,370 (17.5)	10,370 (21.5)	10,370 (25.5)	13,120 (31.5)	12,850 (35.5)	11,450 (39.5)			
70							6,250 (24.5)	6,250 (28.5)	9,980 (34.5)	9,540 (38.5)	8,540 (42.5)			
80								3,430 (14)	6,400 (43)	6,630 (46)	7,840 (55.5)			
90									4,240 (34.5)	4,180 (38.5)	5,650 (51.5)			
100									2,450 (23)	2,820 (29.5)	3,910 (46)			
110										1,390 (15.5)	2,400 (40)			
120											1,220 (33)			
Min. boom angle (deg.) for indicated length (no load)											0	0	0	
Max. boom length (ft.) at 0 degree boom angle (no load)											88	114	120	146

NOTE: Boom angles are in degrees. AG-829-004498B & -004502A

ON OUTRIGGERS FULLY EXTENDED - OVER REAR

Radius in Feet	Main Boom Length in Feet (Power Pinned Fly Retracted)										114 ft. Fly Ext. (Retracted)	122 ft. Fly Ext. (Retracted)	130 ft. Fly Ext. (Retracted)	
	36	44	52	60	68	76	82	88	114	120				146
10	130,000 (67)	106,700 (71.5)	101,500 (74.5)	100,000 (77)	96,700 (79)				See Warning Note 11	See Warning Note 11	See Warning Note 11			
12	123,500 (63)	106,700 (68.5)	101,500 (72)	96,500 (75)	84,700 (77)	84,700 (78.5)			See Warning Note 11	See Warning Note 11	See Warning Note 11			
15	105,000 (57.5)	105,000 (64)	95,300 (68.5)	84,900 (72)	79,180 (74.5)	77,550 (76)	70,250 (77.5)	64,500 (79)						
20	78,850 (47)	78,850 (56.5)	78,850 (62.5)	70,550 (66.5)	64,310 (70)	63,800 (72)	59,400 (74)	55,000 (75.5)	38,750 (80)	23,600 (79.5)				
25	60,000 (34)	60,000 (48)	60,000 (55.5)	54,000 (61)	49,700 (65.5)	47,150 (67.5)	45,600 (70.5)	34,000 (77)	21,300 (77)	22,500 (80)				
30		48,570 (38)	48,570 (48.5)	48,570 (55.5)	42,570 (60.5)	40,450 (63.5)	39,150 (66.5)	30,300 (74.5)	19,500 (78.5)	21,200 (78.5)				
35		33,340 (24.5)	33,340 (30.5)	33,340 (34.5)	33,340 (40.5)	33,340 (44.5)	33,340 (49.5)	27,250 (55.5)	17,950 (61.5)	18,500 (65.5)				
40			25,210 (30.5)	25,210 (34.5)	25,210 (38.5)	25,210 (42.5)	25,210 (46.5)	24,750 (50.5)	16,600 (56.5)	16,000 (60.5)				
45				20,340 (14.5)	20,340 (18.5)	20,340 (22.5)	20,340 (26.5)	20,340 (30.5)	22,650 (36.5)	15,500 (42.5)	14,620 (46.5)			
50					16,250 (37.5)	16,250 (41.5)	16,250 (45.5)	16,250 (49.5)	18,580 (55.5)	14,500 (61.5)	13,730 (65.5)			
60						10,370 (17.5)	10,370 (21.5)	10,370 (25.5)	13,120 (31.5)	12,850 (35.5)	11,450 (39.5)			
70							6,250 (24.5)	6,250 (28.5)	9,980 (34.5)	9,540 (38.5)	8,540 (42.5)			
80								3,430 (14)	6,400 (43)	6,630 (46)	7,840 (55.5)			
90									4,240 (34.5)	4,180 (38.5)	5,650 (51.5)			
100									2,450 (23)	2,820 (29.5)	3,910 (46)			
110										1,390 (15.5)	2,400 (40)			
120											1,220 (33)			
Min. boom angle (deg.) for indicated length (no load)											0	0	0	
Max. boom length (ft.) at 0 degree boom angle (no load)											88	114	120	146

NOTE: Boom angles are in degrees. AG-829-004498B & -004502A

NOTES FOR LIFTING CAPACITIES

GENERAL:

- Rated loads as shown on lift chart pertain to this machine as originally manufactured and equipped. Modifications to the machine or use of optional equipment other than that specified can result in a reduction of capacity.
- Construction equipment can be hazardous if improperly operated or maintained. Operation and maintenance of this machine shall be in compliance with the information in the operator's parts, and safety manuals supplied with this machine. If these manuals are missing, order replacements from the manufacturer through the distributor.
- The operator and other personnel associated with this machine shall fully acquaint themselves with the latest applicable American National Standards Institute (ANSI) Safety Standards for cranes.

SETUP:

- The machine shall be leveled on a firm supporting surface. Depending on the nature of the supporting surface, it may be necessary to have structural supports under the outrigger floats or tires to spread the load to a larger bearing surface.
- For outrigger operation, outriggers shall be fully extended with tires raised free of crane weight before operating the boom or lifting loads.
- If machine is equipped with front jack cylinder, the front jack cylinder shall be set in accordance with written procedure.
- If machine is equipped with extendable counterweight, the counterweight shall be fully extended before operation.
- Tires shall be inflated to the recommended pressure before lifting on rubber.
- With certain boom and hoist tackle combinations, maximum capacities may not be obtainable with standard cable lengths.

OPERATION:

- Rated loads at rated radius shall not be exceeded. Do not tip the machine to determine allowable loads. For clamshell or concrete bucket operation, weight of bucket and load must not exceed 80% of rated lifting capacities.
- Rated loads do not exceed 85% of the tipping load as determined by SAE Crane Stability Test Code J-765a.
- Rated loads include the weight of hook block, slings and auxiliary lifting devices and their weights shall be subtracted from the listed ratings to obtain the net load to be lifted.
- Load ratings are based on freely suspended loads. No attempt shall be made to move a load horizontally on the ground in any direction.
- Rated loads do not account for wind on lifted load or boom. It is recommended when wind velocity is above 20 mph (32 km/h), rated loads and boom lengths shall be appropriately reduced.
- Rated loads are for lift crane service only.
- Do not operate at a radius or boom length where capacities are not listed. At these positions, the machine may overturn without any load on the hook.
- The maximum load which can be telescoped is not definable because of variations in loadings and crane maintenance, but it is safe to attempt retraction and extension within the limits of the capacity chart.

- When either boom length or radius or both are between values listed, the smallest load shown at either the next larger radius or boom length shall be used.
 - For safe operation, the user shall make due allowances for his particular job conditions, such as: soft or uneven ground, out of level conditions, high winds, side loads, pendulum action, jerking or sudden stopping of loads, hazardous conditions, experience of personnel, two machine lifts, traveling with loads, electric wires, etc. Side pull on boom or jib is extremely dangerous.
 - Power telescoping boom sections must be extended equally at all times.
 - Handling of personnel from the boom is not authorized except with equipment furnished and installed by Grove Manufacturing Company.
 - Keep load handling devices a minimum of 12 inches (30 cm) below boom head when lowering or extending boom.
 - Loaded boom angles give an approximation of the operating radius at specified boom lengths. The boom angle before loading should be greater to account for deflection.
 - Capacities appearing above the bold line are based on structural strength and tipping should not be relied upon as a capacity limitation.
 - Capacities for the 36 ft. (11.0 m) boom length shall be lifted with boom fully retracted. If boom is not fully retracted, capacities shall not exceed those shown for the 44 ft. (13.4 m) boom length.
 - Radius less than 35 ft. or 12 m not recommended when lifting over front of machine.
 - For boom lengths less than 114 ft. (34.8 m) with power pinned fly extended, the rated loads are determined by boom angle in the column headed by 114 ft. (34.8 m) boom (power pinned fly extended). For boom angles not shown, use rating of next lower boom angle. For this load column, the power pinned operational mode is to be selected on the Krueger LMI (opt.). WARNING: The Krueger LMI (opt.) rating will apply for full boom extension only.
 - For boom lengths less than 146 ft. (44.3 m) and 119 ft. (36.3 m) with power pinned fly extended or retracted and 32 ft. (9.8 m) boom extension erected, the rated loads are determined by boom angle only, in the column headed by 146 ft. (44.3 m) and 119 ft. (36.3 m) respectively. For boom angles not shown, use rating of next lower boom angle. For each of these load columns, the 32 ft. (9.8 m) boom extension operational mode is to be selected on the Krueger LMI (opt.) (power pinned fly extended or retracted).
 - WARNING: The Krueger LMI (opt.) rating will apply for full boom with extension for power pinned fly extended or retracted.
- #### DEFINITIONS:
- Operating Radius: Horizontal distance from a projection of the axis of rotation to the supporting surface before loading to the center of the vertical hoist line or tackle with load applied.
 - Loaded Boom Angle (Shown in Parenthesis on Main Boom Capacity Chart): is the angle between the boom base section and the horizontal, after lifting the rated load at the rated radius.
 - Working Area: Areas measured in a circular arc about the center line of rotation as shown on the working area diagram.
 - Freely Suspended Load: Load hanging free with no direct external force applied except by the lift cable.
 - Side Load: Horizontal force applied to the lifted load either on the ground or in the air.